

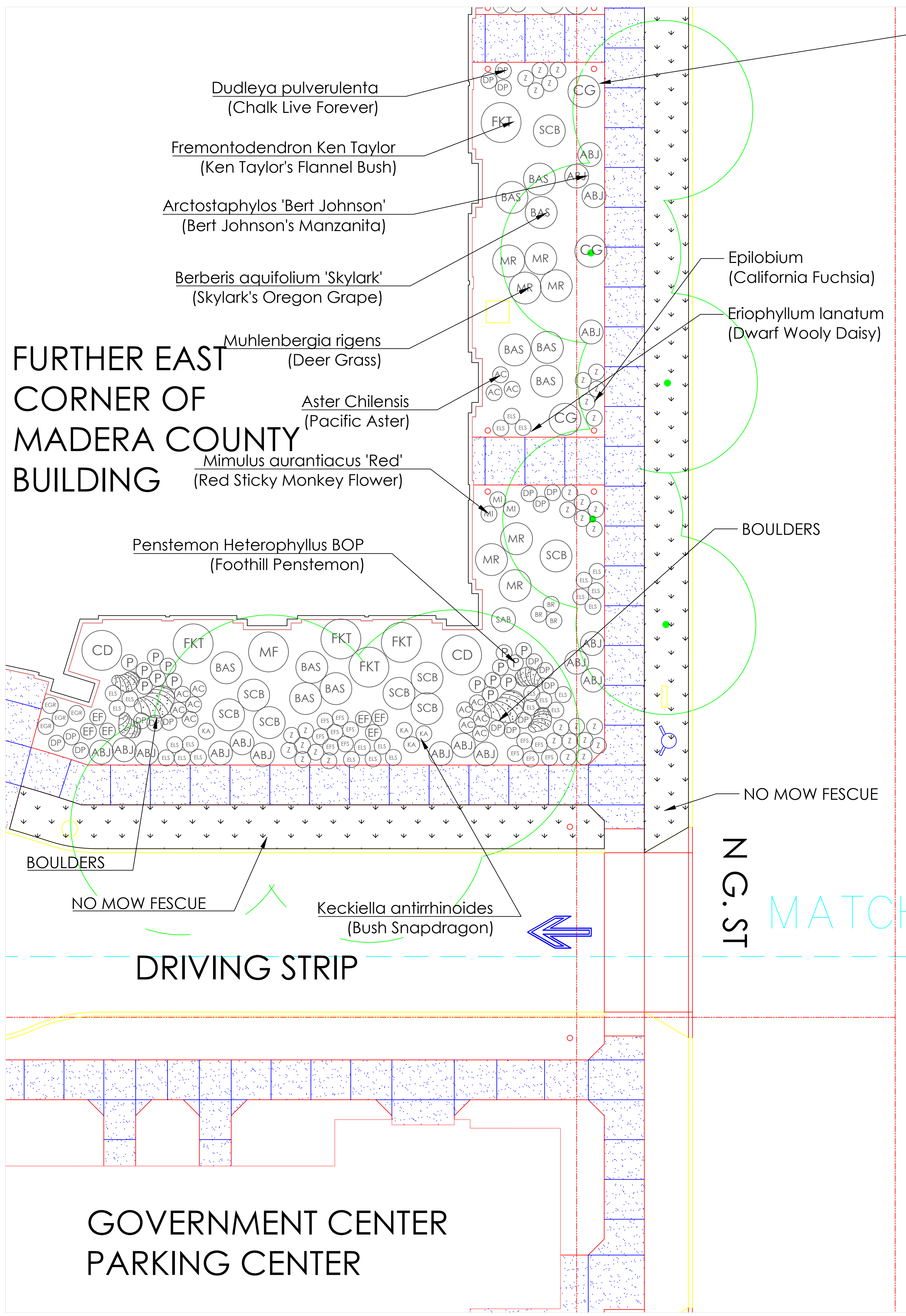
Madera County Government Center
 200 W 4th St
 Madera, CA 93637
 LAYOUT AND PLANTING PLAN

No.	Revision/Issue	Date

DESIGNED BY:
 The Habitat Corridor
 Project
 PROJECT CONTACT:
 APRIL OWENS
 707.331.2070

Project -	Sheet
Date -	L-1
Scale SCALE	

FINAME REVDATE USER



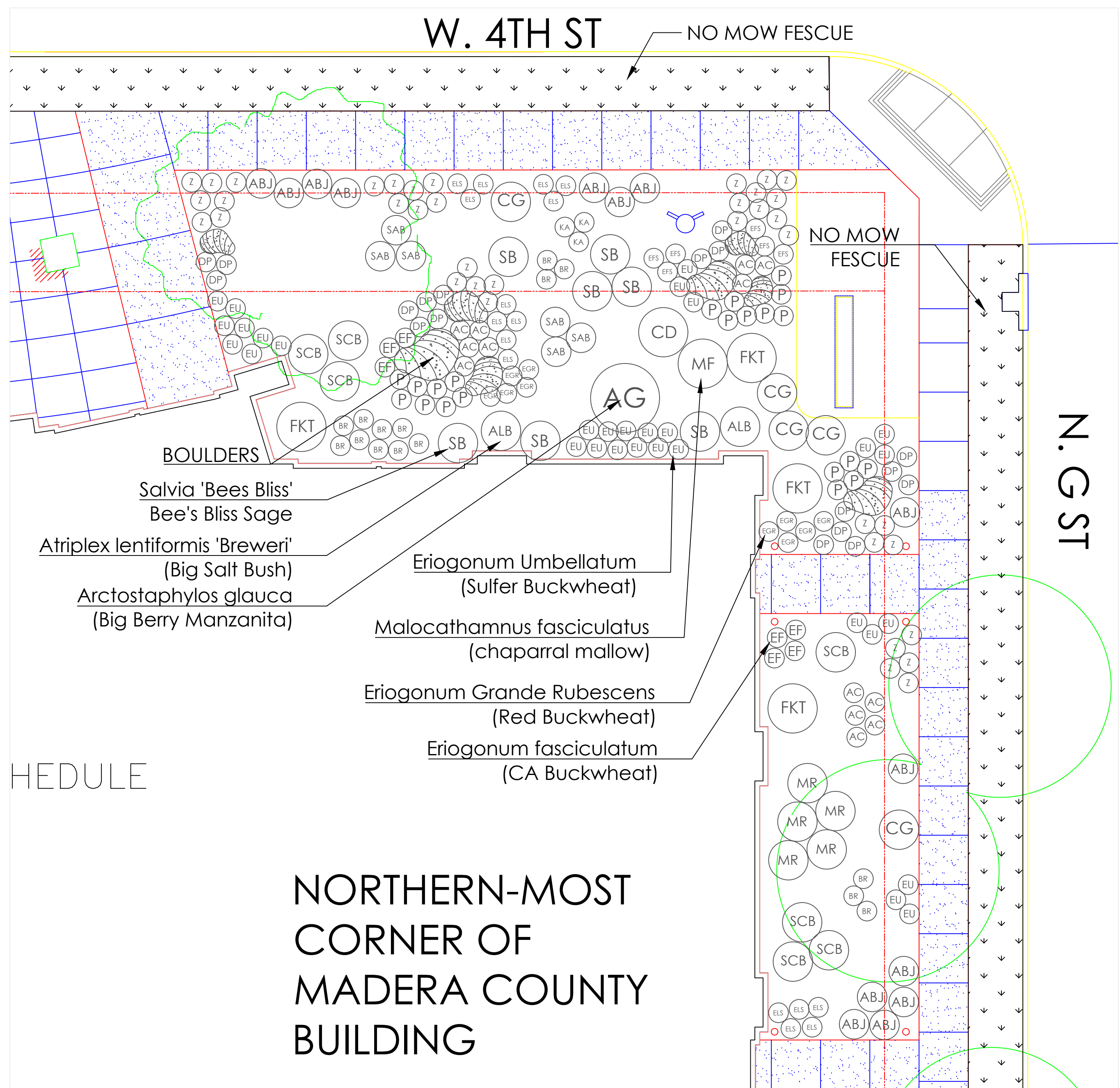
FURTHER EAST CORNER OF MADERA COUNTY BUILDING

- Dudleya pulverulenta (Chalk Live Forever)
- Fremontodendron Ken Taylor (Ken Taylor's Flannel Bush)
- Arctostaphylos 'Bert Johnson' (Bert Johnson's Manzanita)
- Berberis aquifolium 'Skylark' (Skylark's Oregon Grape)
- Muhlenbergia rigens (Deer Grass)
- Aster Chilensis (Pacific Aster)
- Mimulus aurantiacus 'Red' (Red Sticky Monkey Flower)
- Penstemon heterophyllus BOP (Foothill Penstemon)

GOVERNMENT CENTER PARKING CENTER

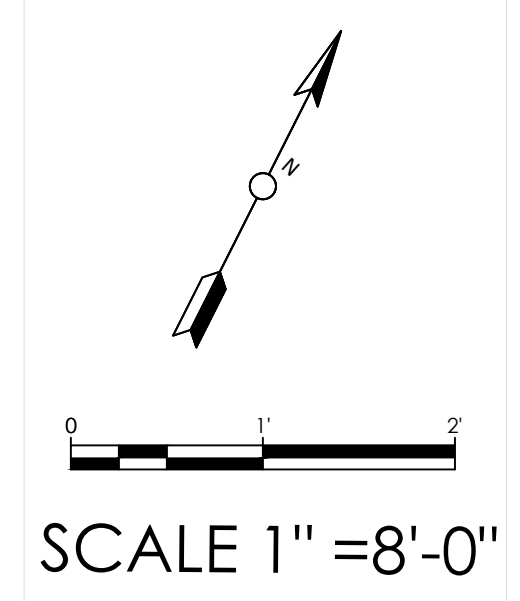
Ceanothus griseus (Ground Cover CA Lilac)

PLANTINGS ALONG N. G ST



- Salvia 'Bees Bliss' Bee's Bliss Sage
- Atriplex lentiformis 'Breweri' (Big Salt Bush)
- Arctostaphylos glauca (Big Berry Manzanita)
- Eriogonum Umbellatum (Sulfer Buckwheat)
- Malocathamnus fasciculatus (chaparral mallow)
- Eriogonum Grande Rubescens (Red Buckwheat)
- Eriogonum fasciculatum (CA Buckwheat)

NORTHERN-MOST CORNER OF MADERA COUNTY BUILDING



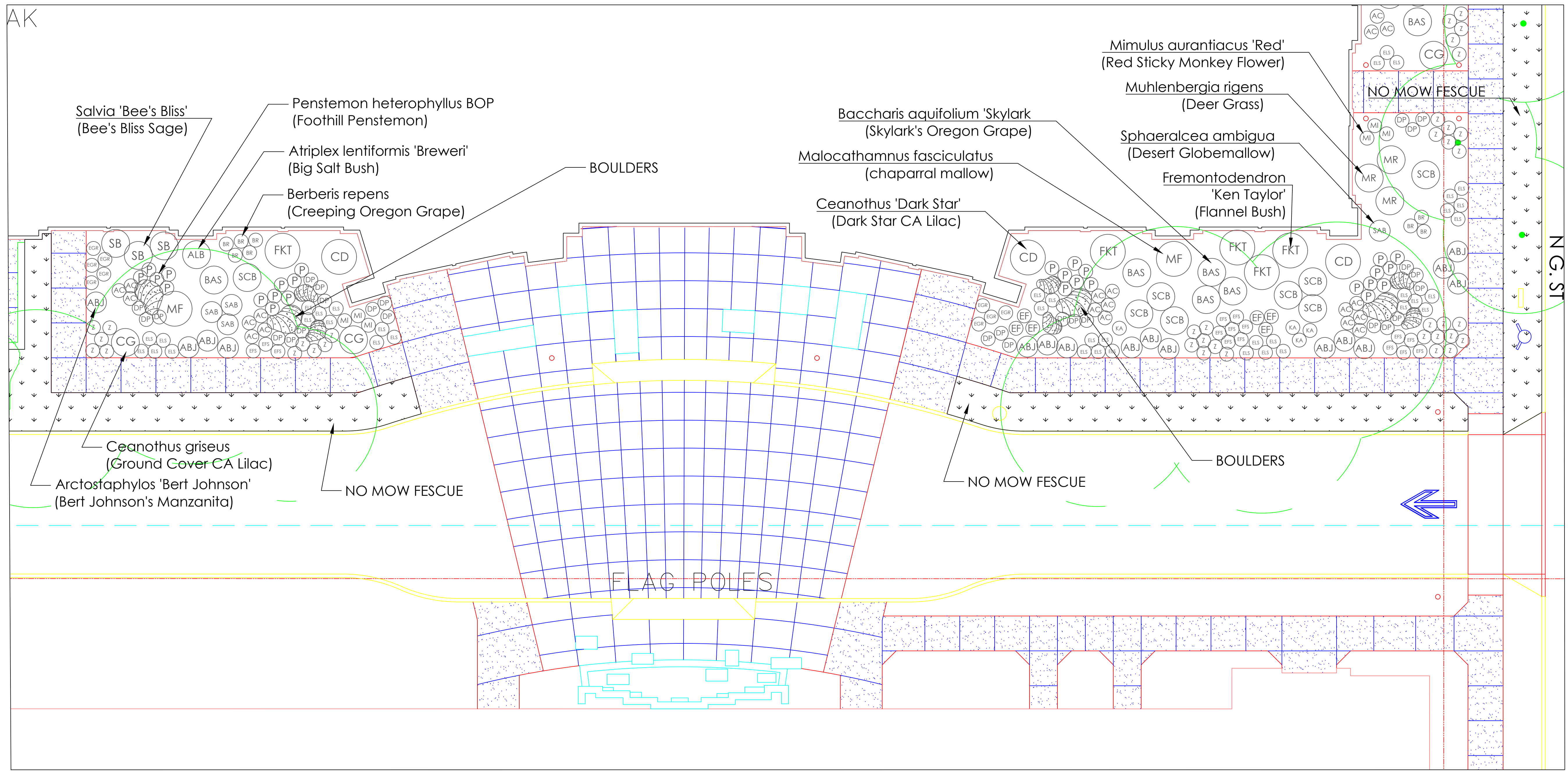
Madera County Government Center
 200 W 4th St
 Madera, CA 93637
 LAYOUT AND PLANTING PLAN

No.	Revision/Issue	Date

DESIGNED BY:
 The Habitat Corridor Project
 PROJECT CONTACT:
 APRIL OWENS
 707.331.2070

Project -	Sheet
Date -	L-2
Scale SCALE	

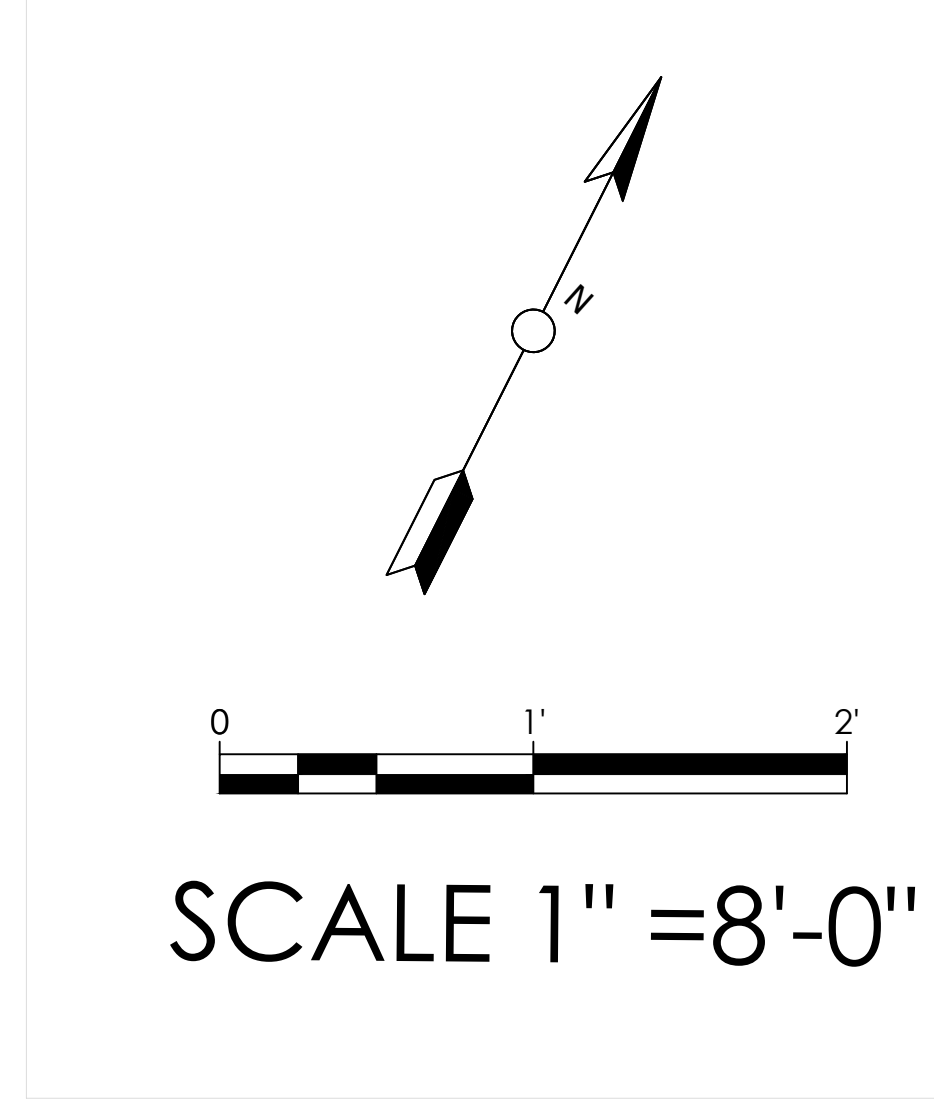
DATE REVISED USER



Madera County Government Center
 200 W 4th St
 Madera, CA 93637
 LAYOUT PLAN

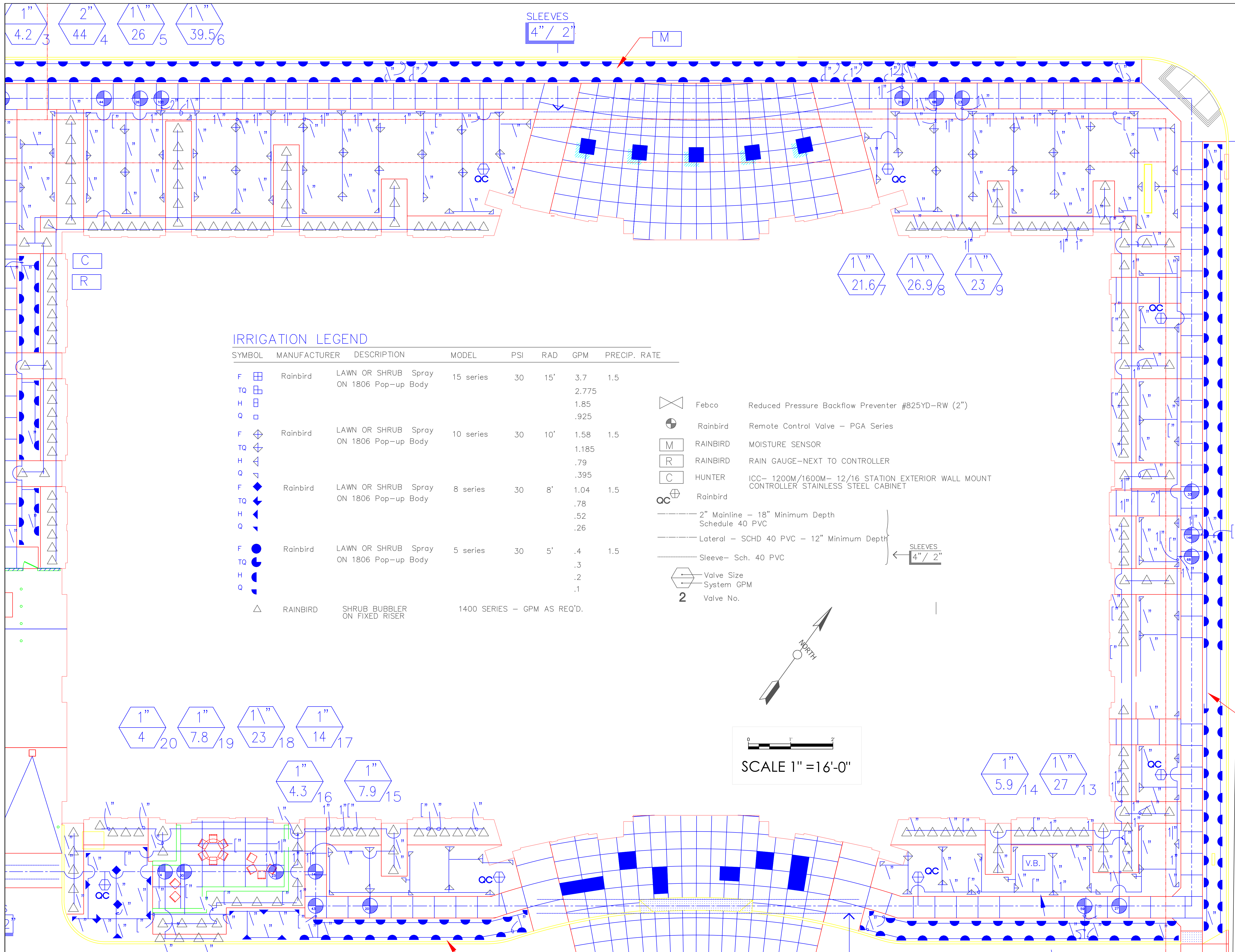
No.	Revision/Issue	Date

DESIGNED BY:
 The Habitat Corridor
 Project
 PROJECT CONTACT:
 APRIL OWENS
 707.331.2070



Project -	Sheet
Date -	L-3
Scale SCALE	

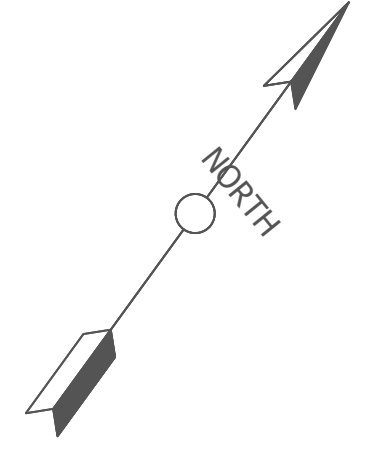
FINAME REVDATE USER



IRRIGATION LEGEND

SYMBOL	MANUFACTURER	DESCRIPTION	MODEL	PSI	RAD	GPM	PRECIP. RATE
F	Rainbird	LAWN OR SHRUB Spray ON 1806 Pop-up Body	15 series	30	15'	3.7	1.5
TQ						2.775	
H						1.85	
Q						.925	
F	Rainbird	LAWN OR SHRUB Spray ON 1806 Pop-up Body	10 series	30	10'	1.58	1.5
TQ						1.185	
H						.79	
Q						.395	
F	Rainbird	LAWN OR SHRUB Spray ON 1806 Pop-up Body	8 series	30	8'	1.04	1.5
TQ						.78	
H						.52	
Q						.26	
F	Rainbird	LAWN OR SHRUB Spray ON 1806 Pop-up Body	5 series	30	5'	.4	1.5
TQ						.3	
H						.2	
Q						.1	
△	RAINBIRD	SHRUB BUBBLER ON FIXED RISER	1400 SERIES - GPM AS REQ'D.				

- Febco Reduced Pressure Backflow Preventer #825YD-RW (2")
- Rainbird Remote Control Valve - PGA Series
- RAINBIRD MOISTURE SENSOR
- RAINBIRD RAIN GAUGE-NEXT TO CONTROLLER
- HUNTER ICC- 1200M/1600M- 12/16 STATION EXTERIOR WALL MOUNT CONTROLLER STAINLESS STEEL CABINET
- Rainbird
- 2" Mainline - 18" Minimum Depth Schedule 40 PVC
- Lateral - SCHD 40 PVC - 12" Minimum Depth
- Sleeve- Sch. 40 PVC
- Valve Size System GPM
- Valve No.



SCALE 1" = 16'-0"

Madera County Government Center
 200 W 4th St
 Madera, CA 93637
 IRRIGATION AS BUILT

No.	Revision/Issue	Date

DESIGNED BY:
 The Habitat Corridor
 Project
 PROJECT CONTACT:
 APRIL OWENS
 707.331.2070

Project	Sheet
Date DATE	L-4
Scale SCALE	

FINAME

REVDATE

USER

SITE NOTES

SITE PREPARATION- CLEAR EXISTING PLANT MATERIALS, FLAG EXISTING IRRIGATION HEADS, DIG SWALE AS DETAILED. PROTECT ANY EXISTING TREES FOR PROJECT INSTALLATION.

1. IRRIGATION - ALL EXISTING HEADS TO BE CONVERTED TO RAINBIRD RH13 SERIES HEADS. IRRIGATION SCHEDULE TO BE ADJUSTED PER SEASON AS RECOMMENDED BY THE HABITAT CORRIDOR PROJECT.
2. PLANTING - PLANTS TO BE LAID OUT PER PLAN AND ADJUSTED BY HABITAT CORRIDOR PROJECT IF NECESSARY. PLEASE GIVE ONE WEEK NOTICE FOR PLANT INSTALLATION.
3. PLANTING- ALL PLANTS ON LIST AVAILABLE AT SOURCE NOTED ON LEGEND.
4. PLANTING- CONTACT HABITAT CORRIDOR PROJECT FOR ANY PLANT SUBSTITUTION OR HELP WITH PROCURING PLANT MATERIALS.
5. AFTER INSTALLATION, ROCK MULCH ENTIRE SITE. SEE MATERIALS LIST FOR TYPE.

MATERIALS:

NO MOW FESCUE' NATIVE MIX SUPPLIED BY DELTA BLUE GRASS ARBOR MULCH

ROCK MULCH- 18" CRUSHED ROCK

BOULDERS- TO BE SELECTED FROM LOCAL MATERIALS YARD

IRRIGATION - SWITCH OUT ALL IRRIGATION HEADS TO SPECIFIED MP ROTORS - NEED COUNT OF POP UP HEADS

ESTIMATED AREAS:

TURF REPLACEMENT 4,250 SQ FT

HIGH WATER LANDSCAPING REPLACEMENT: 8,967 SQ FT

LEGEND - Central valley Plant List

SYMBOL	BOTANICAL NAME	COMMON NAME	SIZE	QUANTITY	SOURCES FOR NATIVES
ABJ	ARCTOSTAPHYLOS 'BERT JOHNSON'	BERT JOHNSON'S MANZANITA	1 GAL		ANTELOPE VALLEY RESOURCE CONSERVATION NURSERY 10148 WEST AVE. I LANCASTER, CA 93536 PHONE: 661.542.7336 EMAIL: AVRCDB@CARCD.ORG
AG	ARCTOSTAPHYLOS GLAUCA	BIG BERRY MANZANITA	1 GAL		
AC	ASTER CHILENSIS	CALIFORNIA ASTER	1 GAL		
ALB	ATRIPLEX LENTIFORMIS BREWERI	SALT BUSH	1 GAL		CENTRAL COAST WILDS 336A GOLF CLUB DRIVE SANTA CRUZ, CA 95060 PHONE: 831.459.0655 EMAIL: INFO@CENTRALCOASTWILDS.COM
BAS	BERBERIS AQUIFOLIUM SKYLARK	COYOTE BUSH	1 GAL		
BR	BERBERIS REPENS	CALIFORNIA BARBERRY	1 GAL		
CC	CALLIANDRA CALIFORNICA	BAJA FAIRY DUSTER	1 GAL		
CD	CEANOTHUS 'DARK STAR'	CALIFORNIA LILAC 'DARK STAR'	1 GAL		
CG	CEANTOTHUS GRISEUS	GROUND COVER CA LILAC	1 GAL		
CL	CHILOPIS LINEARIS	DESERT WILLOW	1 or 5 GAL		
DP	DUDLEYA PULVERULENTA	BUSH POPPY	1 GAL		
Z	EPILOBIUM	CALIFORNIA FUCHSIA	1 GAL		
EFS	ENCELIA.FARINOSA"	BRITTLE BRUSH	1 GAL		
ELS	ERIOPHYLLUM LANATUM	DWARF WOOLY SUNFLOWER	1 GAL		
EF	ERIOGONUM.FASCICULARIS	CA BUCKWHEAT	1 GAL		
EGR	ERIGONUM.GRANDE.RUBESCENS	RED BUCKWHEAT	1 GAL		
EU	ERIGONUM.UMBELLATUM.POLYATHUM	SULFER BUCKWHEAT	1 GAL		
FKT	FREMONTODENDRON 'KEN TAYLOR'	KEN TAYLOR'S FLANNEL BUSH	1 GAL		
HA	HETEROMELES ARBUTIFOLIA	TOYON	1 GAL		
KA	KECKIELLA ANTIRRHINOIDES	YELLOW BUSH PENSTEMON	1 GAL		
MF	MALOCATHAMNUS FASCICULATUS	CHARPARRAL MALLOW	1 GAL		
MA	MIMULUS AURANTIACUS 'RED'	RED MONKEY FLOWER	1 GAL		
MR	MUHLBERGIA RIGENS	DEER GRASS	1 GAL		
P	PENSTEMON BOP	BOP FOOTHILL PENSTEMON	4"		
SB	SALVIA 'BEES BLISS'	BEE'S BLISS SAGE	1 GAL		
SCB	SALVIA CELESTIAL BLUE	CELESTIAL BLUE SAGE	1 GAL		
SG	SALVIA GRACIAS	GRACIAS SAGE	1 GAL		
SAB	SPHAERALEA AMBIGUA	DESERT GLOBE MALLOW	1 GAL		

Madera County Government Center
200 W 4th St
Madera, CA 93637
PLANT LIST AND NOTES

No.	Revision/Issue	Date

DESIGNED BY:
The Habitat Corridor
Project
PROJECT CONTACT:
APRIL OWENS
707.331.2070

Project VISALIA CH	Sheet
Date FEBRUARY 2017	L-5
Scale NTS	

REVISED

REVISED

USER